

Part No. AS2818-E-0200-120-D



Type EI28/18

Power 2.0VA

Weight 100 g

shipping unit per box: 40 PCS

temperature class: ta 70°C/B

Safety transformer/Short circuit proof

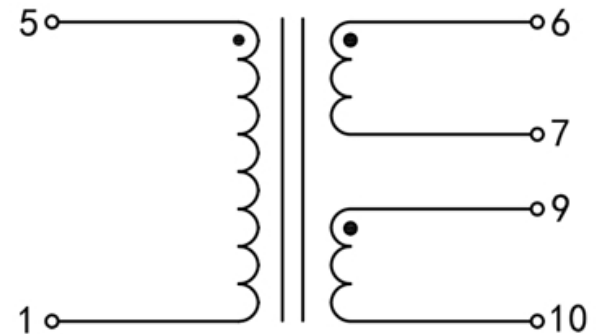
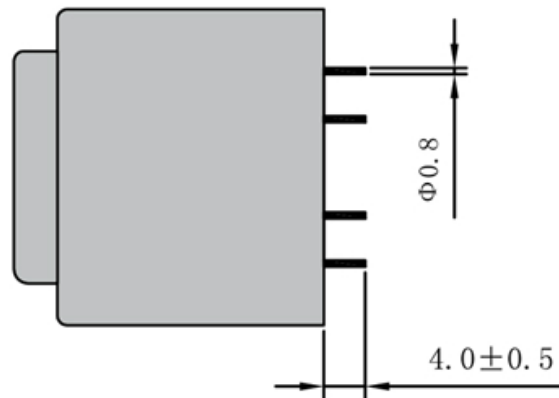
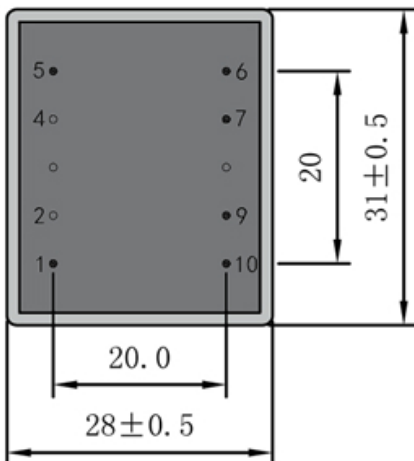
Vacuum filled casting

Split bobbin design winding

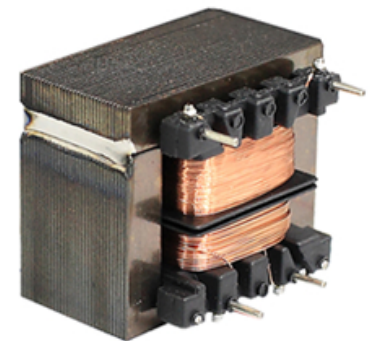
Dielectric strength 4500Vrms

| PART NO             | Output ta 70°C/B | Prim.V | Connecting pins | Operating point<br>sec. ± 10% | Connecting pins | No-load voltage<br>V ± 10% |
|---------------------|------------------|--------|-----------------|-------------------------------|-----------------|----------------------------|
| AS2818-E-0200-120-D | 2.0 W            | 230    | 1--5            | 12V 83.3mA                    | 6--7            | 17.6V                      |
|                     |                  |        |                 | 12V 83.3mA                    | 9--10           | 17.6V                      |

According to



Dimensions with no indication of tolerances: ± 0.3mm  
Custom-made transformer also will be welcome.



ADD: 699 Fangzhou Road Xiongzhou Town Luhe District 211500 Nanjing City Jiangsu China

TEL: +86 25 57120866 / 57120966 - 8001

FAX: +86 25 57118989

E-mail: asn@asn.cn / asn@asntransformer.com

http://www.asntransformer.com