

Part No. AS3012-E-0100-075-D



Type EI30/12.5

Power 1.0VA

Weight 80g

shipping unit per box: 40 PCS

temperature class: ta 70°C/B

**Max.standby power consumption ≤0.5W**

Safety transformer/Short circuit proof

**Vacuum filled casting**

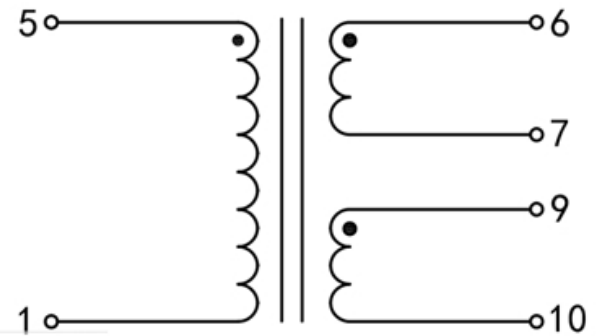
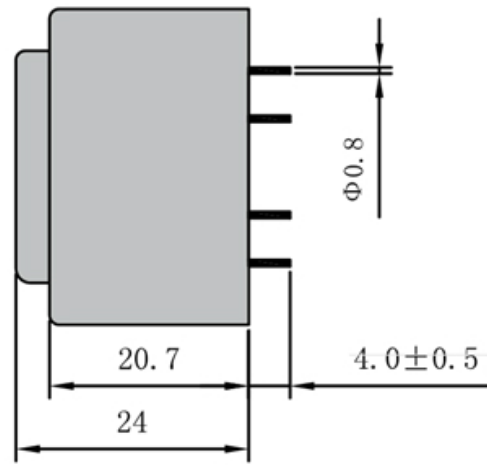
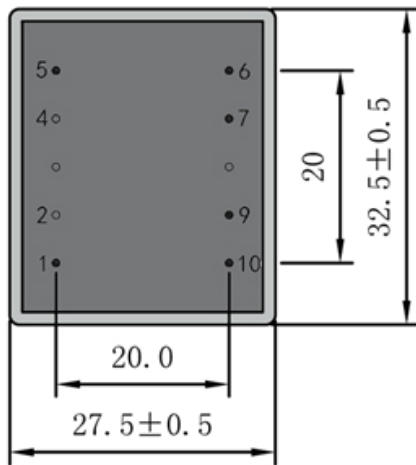
Split bobbin design winding

**with VDE, ENEC 10, UL ,CE,CB certificates**

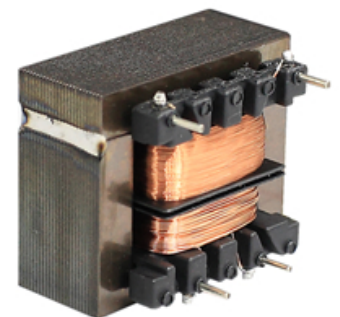
Dielectric strength 4500Vrms

PART NO	Output ta 70°C/B	Prim.V	Connecting pins	Operating point sec. ± 10%	Connecting pins	No-load voltage V ± 10%
AS3012-E-0100-075-D	1.0W	230	1--5	7.5V 66.6mA	6--7	10.3V
				7.5V 66.6mA	9--10	10.3V

Approved by



Dimensions with no indication of tolerances: ± 0.3mm  
Custom-made transformer also will be welcome.



ADD: 699 Fangzhou Road Xiongzhou Town Luhe District 211500 Nanjing City Jiangsu China

TEL: +86 25 57120866 / 57120966 - 8001 FAX: +86 25 57118989

E-mail: asn@asn.cn / asn@asntransformer.com

http://www.asntransformer.com