

Part No. ASU3016-U2-1000-060-D



Type UI30/16.5

Power 10.0 VA

Weight 260g

shipping unit per box: 18 pcs temperature class: ta 50°C/B

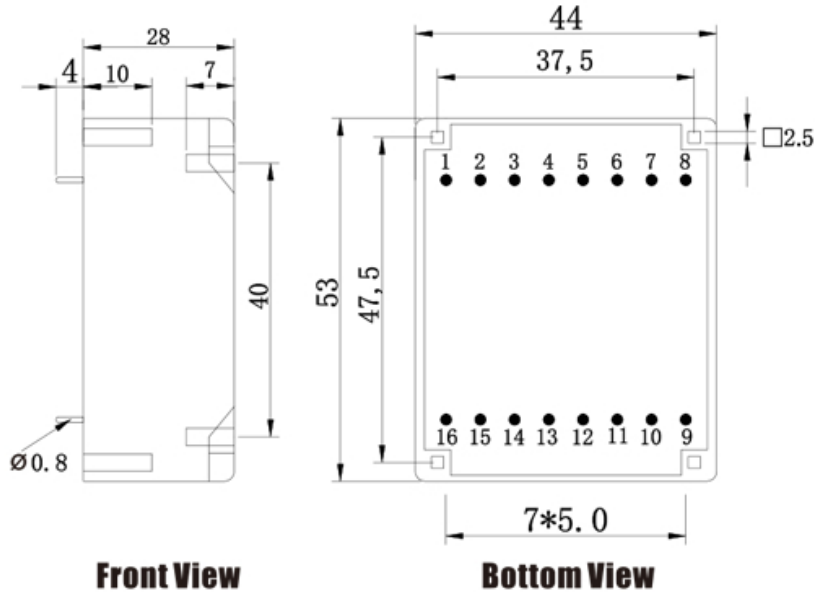
Vacuum filled casting

Split bobbin design winding

Dielectric strength 3750Vrms

PART NO	Output ta 50°C/B	Prim.V	Connecting pins	Operating point sec. ± 10%	Connecting pins	No-load voltage V ± 10%
ASU3016-U2-1000-060-D	10.0 W	115	1---3	6V 833.3mA	10---12	7.9V
		115	5---7	6V 833.3mA	14---16	7.9V

According to

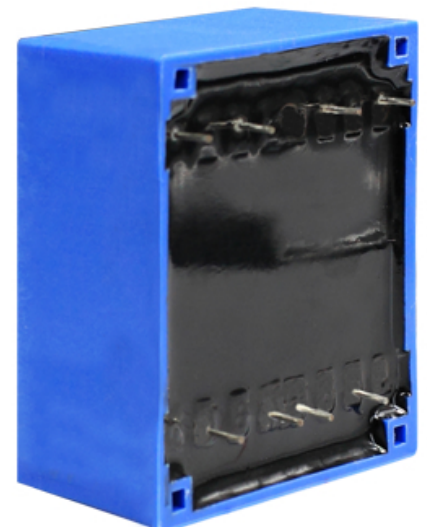
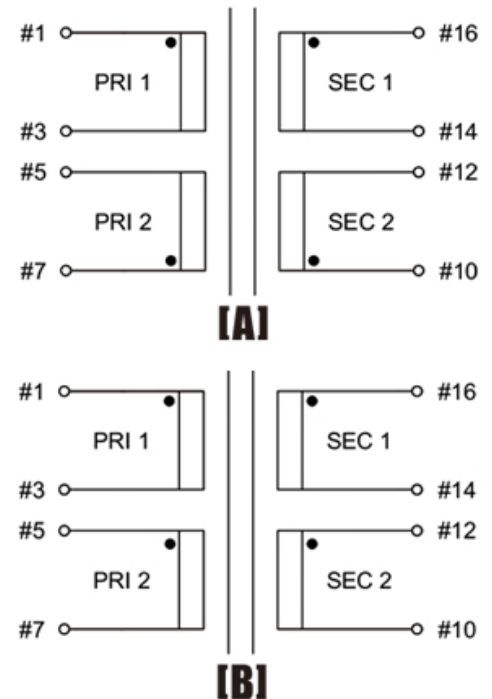


Front View

Bottom View

Tolerances : <10mm ±0.3mm  
 10--50mm ±0.5mm  
 Custom-made transformer also will be welcome.

Schematics



ADD: 699 Fangzhou Road Xiongzhou Town Luhe District 211500 Nanjing City Jiangsu China  
 TEL: +86 25 57120866 / 57120966 - 8001 FAX:+86 25 57118989  
 E-mail: asn@asn.cn / asn@asntransformer.com  
 http://www.asntransformer.com