

Part No. ASU3007-U2-0400-150-D



Type UI30/7.5

Power 4.0 VA

Weight 150g

shipping unit per box: 18 pcs temperature class: ta 50°C/B

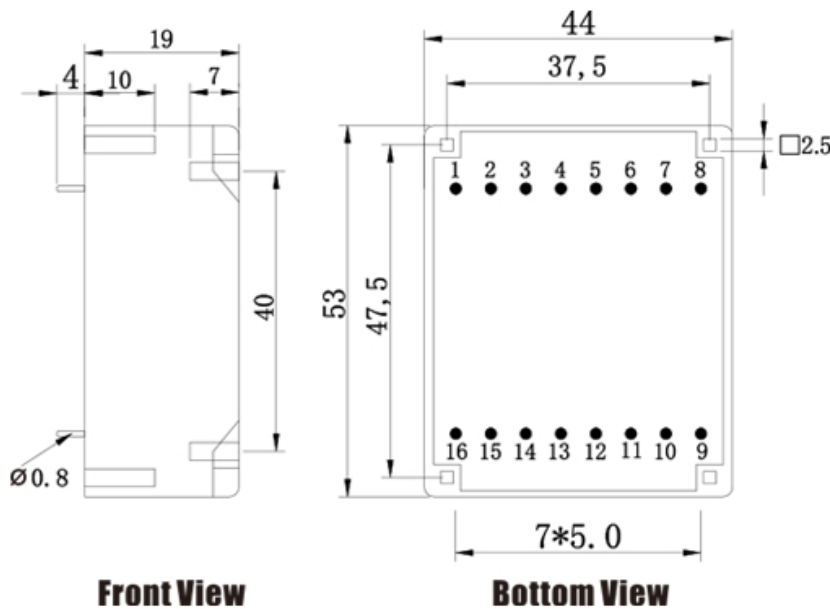
Vacuum filled casting

Split bobbin design winding

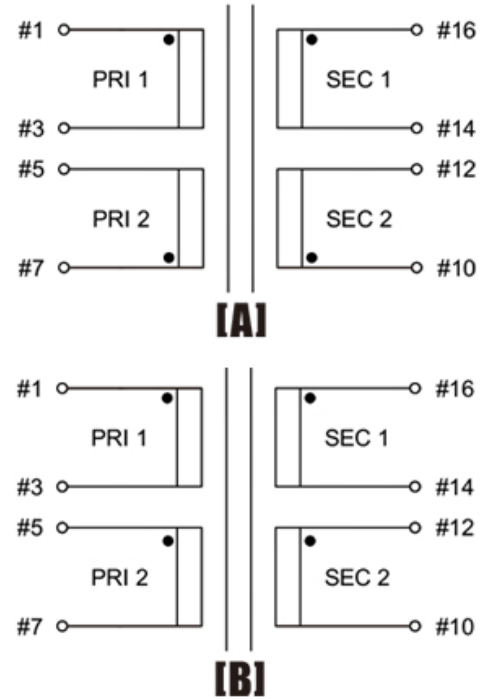
Dielectric strength 3750Vrms

| PART NO               | Output ta 50°C/B | Prim.V | Connecting pins | Operating point sec. ± 10% | Connecting pins | No-load voltage V ± 10% |
|-----------------------|------------------|--------|-----------------|----------------------------|-----------------|-------------------------|
| ASU3007-U2-0400-150-D | 4.0 W            | 115    | 1---3           | 15V 133.3mA                | 10---12         | 23.3V                   |
|                       |                  | 115    | 5---7           | 15V 133.3mA                | 14---16         | 23.3V                   |

According to



Schematics



Tolerances : <10mm ±0.3mm  
 10--50mm ±0.5mm  
 Custom-made transformer also will be welcome.



ADD: 699 Fangzhou Road Xiongzhou Town Luhe District 211500 Nanjing City Jiangsu China  
 TEL: +86 25 57120866 / 57120966 - 8001 FAX:+86 25 57118989  
 E-mail: asn@asn.cn / asn@asntransformer.com  
 http://www.asntransformer.com