

Part No. AS3012-U2-0150-240-D



Type EI30/12.5

Power 1.5VA

Weight 85g

shipping unit per box: 40 PCS

temperature class: ta 70°C/B

Safety transformer/Short circuit proof

Vacuum filled casting

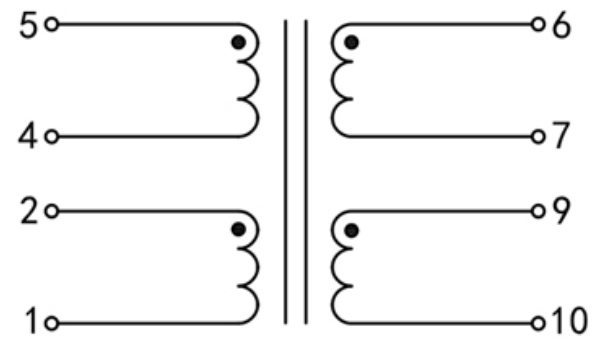
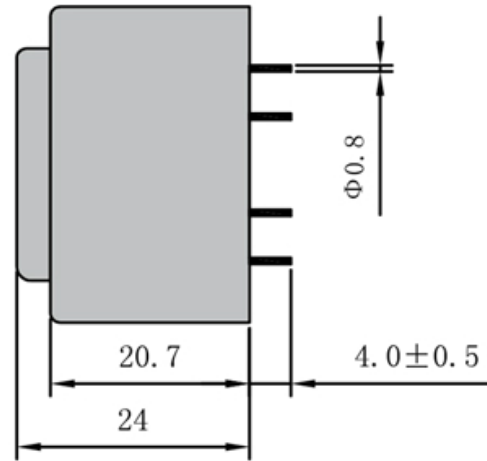
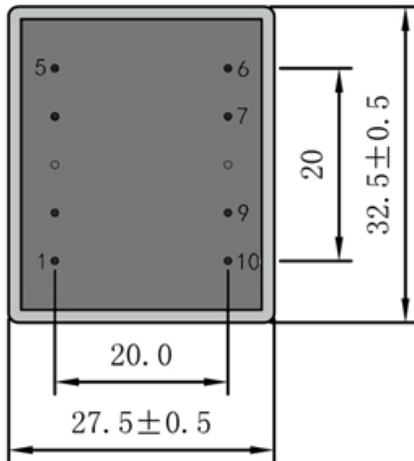
Split bobbin design winding

with VDE, ENEC 10, UL, CE, CB certificates

Dielectric strength 4500Vrms

| PART NO              | Output ta 70°C/B | Prim.V | Connecting pins | Operating point<br>sec. ± 10% | Connecting pins | No-load voltage<br>V ± 10% |
|----------------------|------------------|--------|-----------------|-------------------------------|-----------------|----------------------------|
| AS3012-U2-0150-240-D | 1.5W             | 115    | 1--2            | 24V 31.2mA                    | 6--7            | 35.5V                      |
|                      |                  | 115    | 4--5            | 24V 31.2mA                    | 9--10           | 35.5V                      |

Approved by



Dimensions with no indication of tolerances: ± 0.3mm  
Custom-made transformer also will be welcome.



ADD: 699 Fangzhou Road Xiongzhou Town Luhe District 211500 Nanjing City Jiangsu China

TEL: +86 25 57120866 / 57120966 - 8001

FAX: +86 25 57118989

E-mail: asn@asn.cn / asn@asntransformer.com

http://www.asntransformer.com