

Part No. AS4816-U2-1000-060-S



Type EI48/16.8

Power 10.0VA

Weight 295g

shipping unit per box: 20 PCS

temperature class: ta 70°C/B

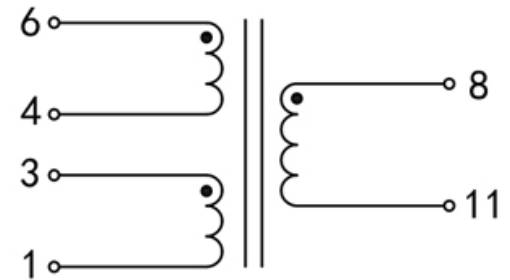
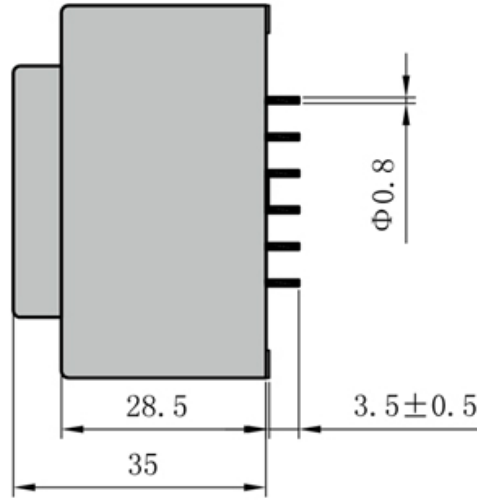
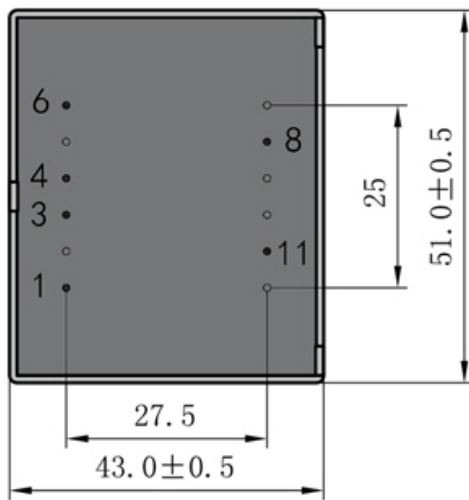
**Vacuum filled casting**

Split bobbin design winding

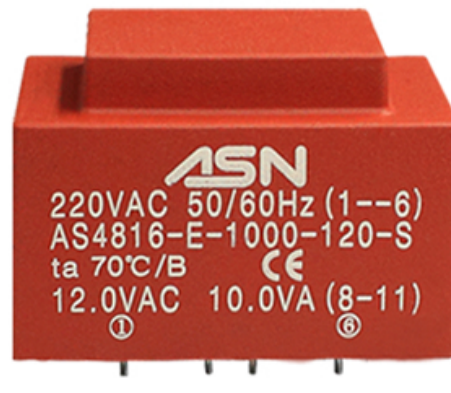
**Dielectric strength 4500Vrms**

| PART NO              | Output ta 70°C/B | Prim.V | Connecting pins | Operating point<br>sec. ± 10% | Connecting pins | No-load voltage<br>V ± 10% |
|----------------------|------------------|--------|-----------------|-------------------------------|-----------------|----------------------------|
| AS4816-U2-1000-060-S | 10.0W            | 115    | 1--3            | 6V 1666.6mA                   | 8--11           | 7.6V                       |
|                      |                  | 115    | 4--6            |                               |                 |                            |

According to



Dimensions with no indication of tolerances: ± 0.3mm  
Custom-made transformer also will be welcome.



ADD: 699 Fangzhou Road Xiongzhou Town Luhe District 211500 Nanjing City Jiangsu China  
TEL: +86 25 57120866 / 57120966 - 8001 FAX: +86 25 57118989  
E-mail: asn@asn.cn / asn@asntransformer.com  
http://www.asntransformer.com