

Part No. AS4816-U-1000-090-S



Type EI48/16.8

Power 10.0VA

Weight 295g

shipping unit per box: 20 PCS.

temperature class: ta 70°C/B

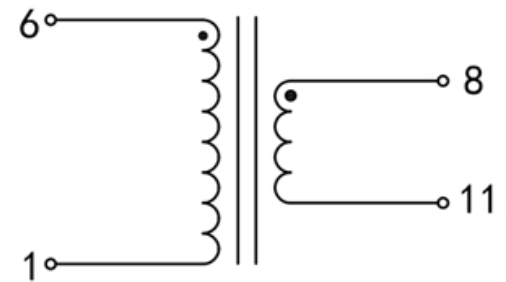
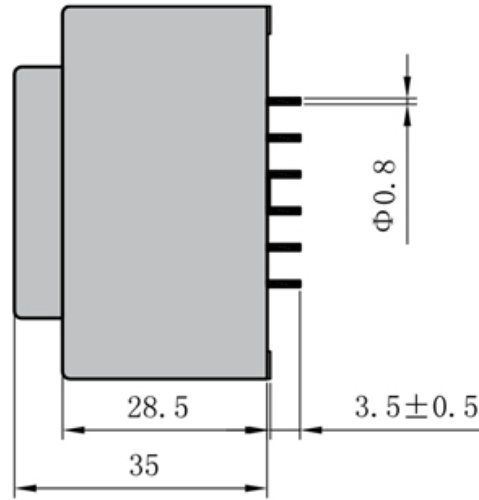
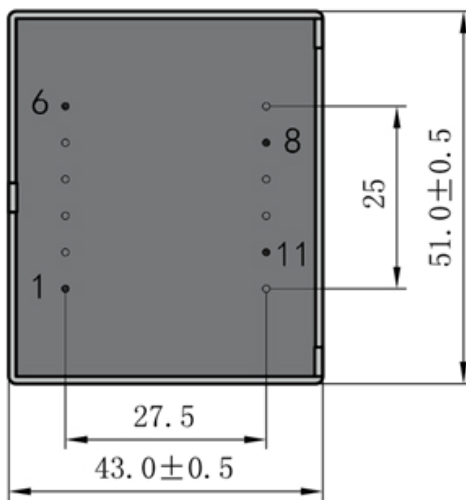
Vacuum filled casting

Split bobbin design winding

Dielectric strength 4500Vrms

PART NO	Output ta 70°C/B	Prim.V	Connecting pins	Operating point sec. ± 10%	Connecting pins	No-load voltage ± 10%
AS4816-U-1000-090-S	10.0W	115	1--6	9V 1111.1mA	8--11	11.4V

According to



Dimensions with no indication of tolerances: ± 0.3mm
Custom-made transformer also will be welcome.

