

Part No. AS4816-E-1000-090-S



Type EI48/16.8

Power 10.0VA

Weight 295g

shipping unit per box: 20 PCS. temperature class: ta 70°C/B

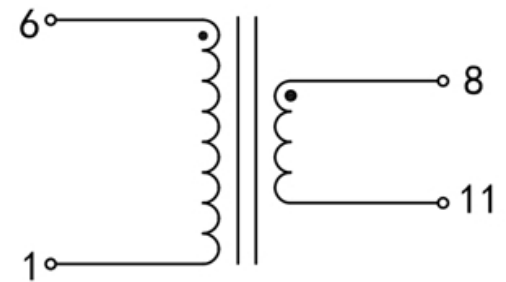
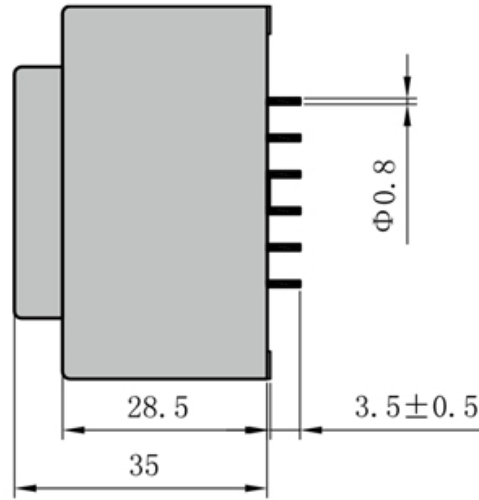
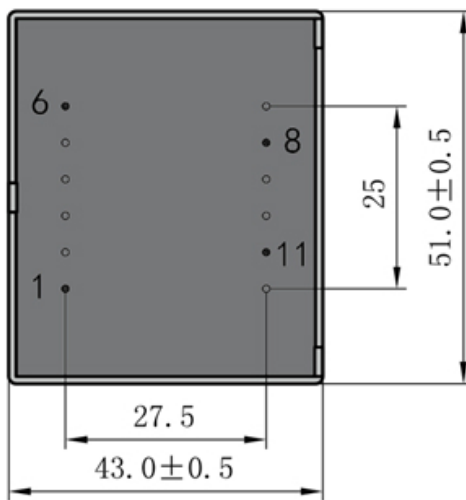
**Vacuum filled casting**

Split bobbin design winding

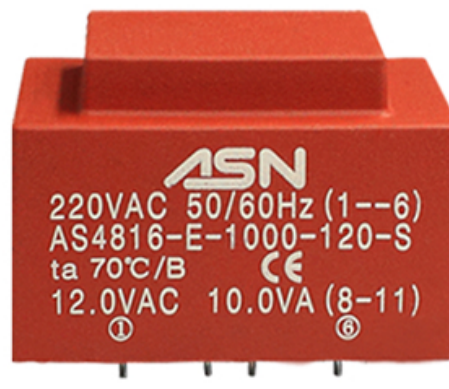
**Dielectric strength 4500Vrms**

PART NO	Output ta 70°C/B	Prim.V	Connecting pins	Operating point sec. ± 10%	Connecting pins	No-load voltage ± 10%
AS4816-E-1000-090-S	10.0W	230	1--6	9V 1111.1mA	8--11	11.4V

According to



Dimensions with no indication of tolerances: ± 0.3mm  
Custom-made transformer also will be welcome.



ADD: 699 Fangzhou Road Xiongzhou Town Luhe District 211500 Nanjing City Jiangsu China  
TEL: +86 25 57120866 / 57120966 - 8001 FAX: +86 25 57118989  
E-mail: asn@asn.cn / asn@asntransformer.com  
http://www.asntransformer.com