

Part No. AS4812-E-0400-180-D



Type EI48/12

Power 4.0VA

Weight 205g

shipping unit per box: 20 PCS

temperature class: ta 70°C/B

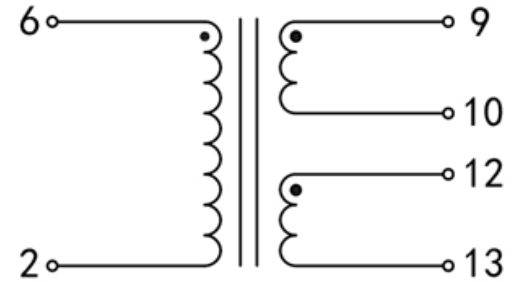
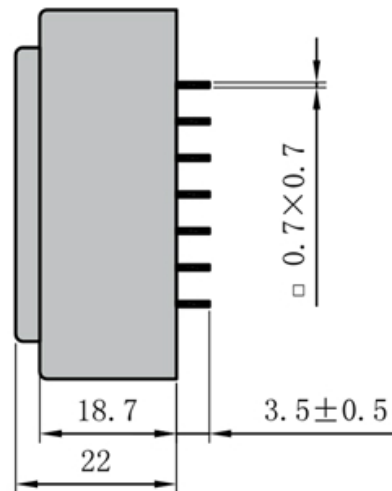
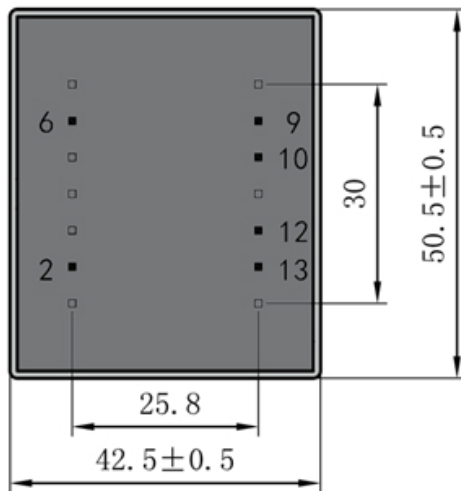
Vacuum filled casting

Split bobbin design winding

Dielectric strength 4500Vrms

PART NO	Output ta 70°C/B	Prim.V	Connecting pins	Operating point sec. ± 10%	Connecting pins	No-load voltage V ± 10%
AS4812-E-0400-180-D	4.0W	230	2--6	18V 111.1mA	9--10	26.0V
				18V 111.1mA	12--13	26.0V

According to



Dimensions with no indication of tolerances: ± 0.3mm
Custom-made transformer also will be welcome.

