

Part No. AS4812-E-0400-090-D



Type EI48/12

Power 4.0VA

Weight 205g

shipping unit per box: 20 PCS

temperature class: ta 70°C/B

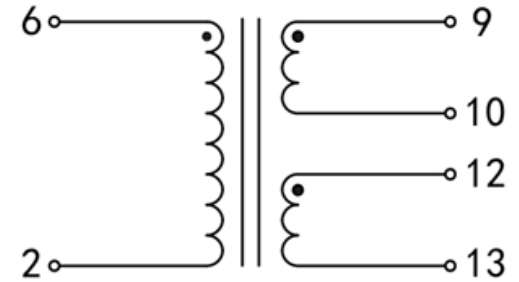
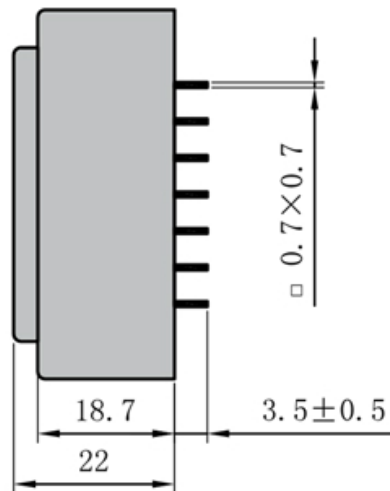
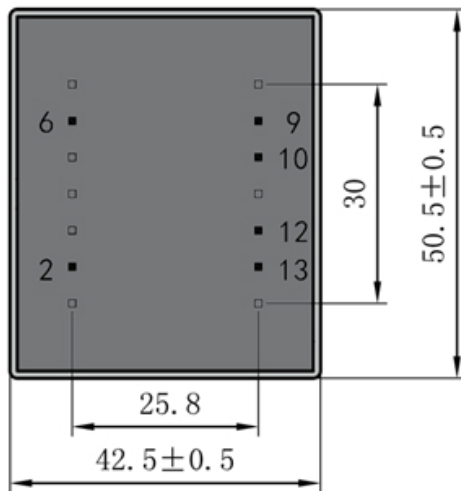
Vacuum filled casting

Split bobbin design winding

Dielectric strength 4500Vrms

| PART NO | Output ta 70°C/B | Prim.V | Connecting pins | Operating point sec. ± 10% | Connecting pins | No-load voltage V ± 10% |
|---------------------|------------------|--------|-----------------|-------------------------------|-----------------|----------------------------|
| AS4812-E-0400-090-D | 4.0W | 230 | 2--6 | 9V 222.2mA | 9--10 | 13.0V |
| | | | | 9V 222.2mA | 12--13 | 13.0V |

According to



Dimensions with no indication of tolerances: ± 0.3mm
Custom-made transformer also will be welcome.

