

SWITCHING TRANSFORMER



Power Ferrite Flyback Transformers Size ETD44 - 4 Outputs: 5 + 12V / 5 + 12V

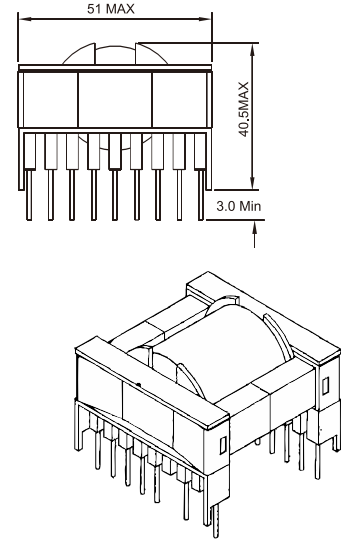
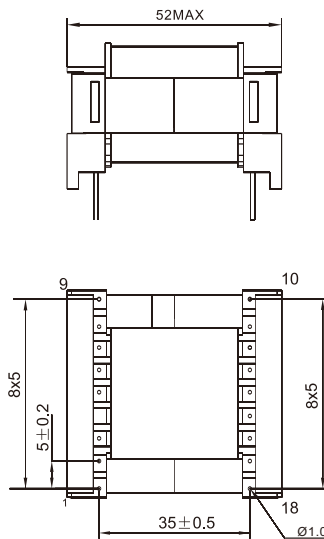
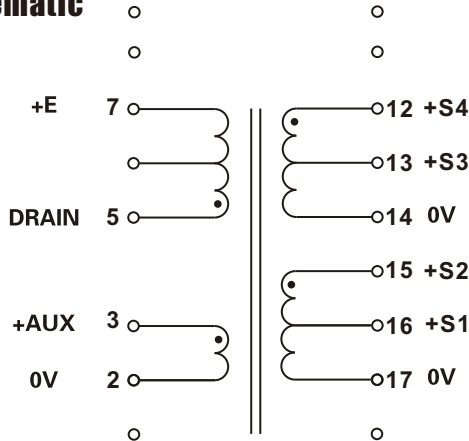
Features

- Primary / Secondary Insulation $\geq 4,000V$
- Primary / Auxiliary Insulation $\geq 1,500V$
- Primary / Secondary creepage distance $\geq 8mm$
- Confirms to IEC950, IEC335, IEC61558 reinforced insulation construction
- UL94-V0 listed materials used exclusively

Applications

- AC-DC converters
- DC-DC converters
- Switch Power supplies
- SMPS: Flyback
- SMPS: Half Bridge and Full Bridge

Schematic



Remove Pin 4
PCB Hole Diameter=1.5mm
S1/S3 or S2/S4 can be connected in series or in parallel

Part Number	Max Output Power	Windings					Ambient Temperature	
		Pins	Turns	Voltage	Current (max)	Inductance ($\pm 10\%$)		
74070	180W	Pri	5-7	38	85-265Vrms	8 Apeak	300 μ H	<50°C
		Aux	3-2	4	7 - 14 Vdc	0.5 Adc		
		S1	16-17	2	3.3 - 6.5 Vdc	6 Adc		
		S2	15-17	5	8.5 - 17 Vdc	5 Adc		
		S3	13-14	2	3.3 - 6.5 Vdc	6Adc		
		S4	12-14	5	8.5 - 17 Vdc	5 Adc		

Examples of application with Integrated Circuits :

Part Number	Control IC Manufacturer	Input Voltage	Power	Frequency
74070	Power Integrations	185 - 265Vrms	180W	66 or 132kHz
	Power Integrations	85 - 265Vrms	120W	66kHz
	Infineon	185 - 265Vrms	160W	100kHz
	Fairchild	185 - 265Vrms	160W	100kHz
	Philipis	185 - 265Vrms	120W	50kHz