

SWITCHING TRANSFORMER



Power Ferrite Flyback Transformers Size ETD34 - 4 Outputs: 5 + 12V / 5 + 12V

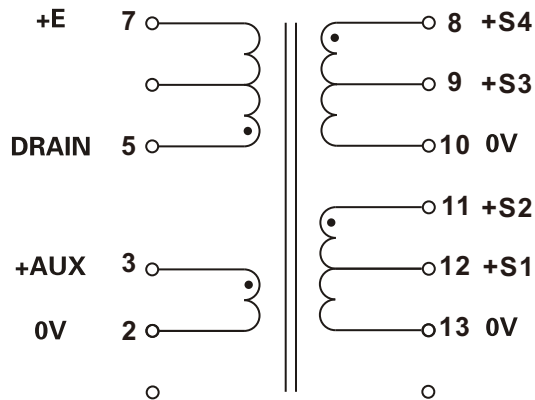
Features

- Primary / Secondary Insulation $\geq 4,000V$
- Primary / Auxiliary Insulation $\geq 1,500V$
- Primary / Secondary creepage distance $\geq 8mm$
- Confirms to IEC950, IEC335, IEC61558 reinforced insulation construction
- UL94-V0 listed materials used exclusively

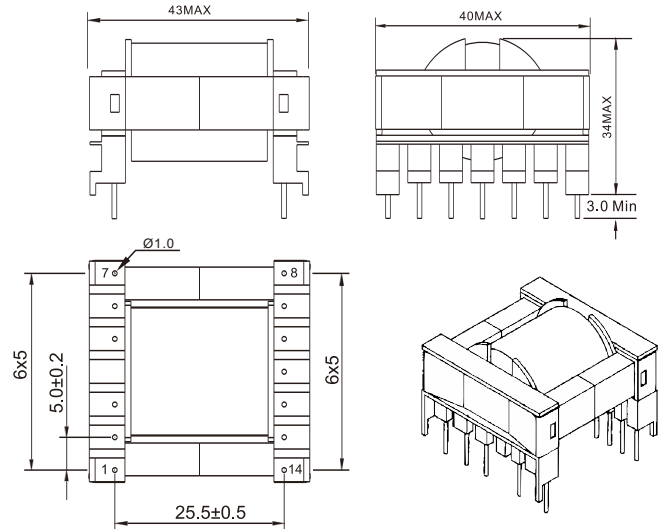
Applications

- AC-DC converters
- DC-DC converters
- Switch Power supplies
- SMPS: Flyback
- SMPS: Half Bridge and Full Bridge

Schematic



Remove Pin 4
PCB Hole Diameter=1.5mm
S1/S3 or S2/S4 can be connected in series or in parallel



Part Number	Max Output Power	Windings					Ambient Temperature	
		Pins	Turns	Voltage	Current (max)	Inductance ($\pm 10\%$)		
74050	90W	Pri	5-7	36	85-265Vrms	2.8 Apeak	500 μ H	<50°C
		Aux	3-2	4	7 - 14 Vdc	0.5 Adc		
		S1	12-13	2	3.3 - 6.5 Vdc	5 Adc		
		S2	11-13	5	8.5 - 17 Vdc	3 Adc		
		S3	9-10	2	3.3 - 6.5 Vdc	5 Adc		
		S4	8-10	5	8.5 - 17 Vdc	3 Adc		

Examples of application with Integrated Circuits :

Part Number	Control IC Manufacturer	Input Voltage	Power	Frequency
74050	Power Integrations	185 - 265Vrms	90W	132kHz
	Power Integrations	85 - 265Vrms	60W	66 or 132kHz
	ST Microelectronics	185 - 265Vrms	80W	70kHz
	ST Microelectronics	85 - 265Vrms	60W	70kHz
	Motorola	185 - 265Vrms	80W	100kHz
	Motorola	85 - 265Vrms	60W	100kHz
	Infineon	185 - 265Vrms	80W	100kHz
	Infineon	85 - 265Vrms	60W	100kHz