

# SWITCHING TRANSFORMER



## Power Ferrite Flyback Transformers Size ETD29 - 4 Outputs: 5 + 12V / 5 + 12V

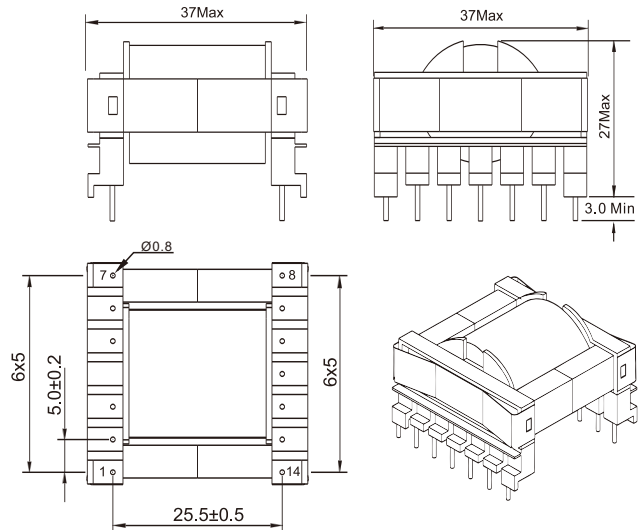
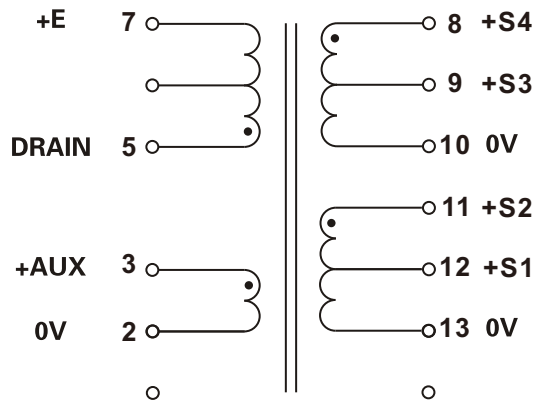
### Features

- Primary / Secondary Insulation  $\geq 4,000V$
- Primary / Auxiliary Insulation  $\geq 1,500V$
- Primary / Secondary creepage distance  $\geq 8mm$
- Confirms to IEC950, IEC335, IEC61558 reinforced insulation construction
- UL94-V0 listed materials used exclusively

### Applications

- AC-DC converters
- DC-DC converters
- Switch Power supplies
- SMPS: Flyback
- SMPS: Half Bridge and Full Bridge

### Schematic



Remove Pin 4  
PCB Hole Diameter=1.3mm  
S1/S3 or S2/S4 can be connected in series or in parallel

Part Number	Max Output Power	Windings					Ambient Temperature	
		Pins	Turns	Voltage	Current (max)	Inductance ( $\pm 10\%$ )		
74040	60W	Pri	5-7	50	85-265Vrms	3.0 Apeak	500 $\mu$ H	<50°C
		Aux	3-2	6	7 - 14.5 Vdc	0.5 Adc		
		S1	12-13	3	3.3 - 7 Vdc	4 Adc		
		S2	11-13	7	8 - 16.5 Vdc	2.5 Adc		
		S3	9-10	3	3.3 - 7 Vdc	4 Adc		
		S4	8-10	7	8 - 16.5 Vdc	2.5 Adc		

Examples of application with Integrated Circuits :

Part Number	Control IC Manufacturer	Input Voltage	Power	Frequency
74040	Power Integrations	185 - 265Vrms	60W	66 or 132kHz
	Power Integrations	85 - 265Vrms	45W	66 or 132kHz
	ST Microelectronics	185 - 265Vrms	45W	100kHz
	ST Microelectronics	85 - 265Vrms	35W	100kHz
	Motorola	185 - 265Vrms	45W	100kHz
	Motorola	85 - 265Vrms	35W	100kHz
	Infineon	185 - 265Vrms	45W	100kHz
	Infineon	92 - 265Vrms	35W	100kHz